



PROJECT		REF		REV	ITEM CODE	
LOCATION		DATE			PAGE	

SANITARY WARE SPECIFICATION SHEET

<p>Item Descriptions</p>	<p>GROHE (Germany) "Rapid SL" concealed dual flushing cistern, 0.82M installation height ; 3/6L pneumatic dual push button actuation Ø48 mm ; supported with wall brackets in pairs ; connection set & extended overflow tube; 3.2/6.0 litres/cycle in WELS Grade 2; Registration No. WC 21-0132</p>	<p style="text-align: center;">Illustration/ Drawing</p>
<p>Dimensions</p>	<p>L48 x H48 x D60 mm</p>	
<p>Model</p>	<p>38771000 (pneumatic push button actuation) 38526000 (concealed cistern with frame) 3855800M (wall brackets) EM837419-1 (connection set) POFT-325 (5/8" plastic bottom overflow tube)</p>	
<p>Finish</p>	<p>Chrome plated</p>	
<p>Manufacturer</p>	<p>GROHE Limited</p>	
<p>Supplier</p>	<p>Acme Sanitary Ware Co. Ltd Mr. Eric Wong/ Mr. Don Yuen</p>	
<p>Contact Tel/Fax</p>	<p>(852) 2388-7171 / (852) 2710-8012</p>	
<p>E-mail</p>	<p>acme@acmesanitary.com.hk</p>	
<p>Website</p>	<p>www.acmesanitary.com.hk</p>	
<p>Pneumatic Push Button Actuation for dual flush or start & stop actuation, Ø 48 mm in combination with bath furniture or removable claddings for cistern inspection for material thickness from 18 -24 mm, pneumatic hose 600 mm GROHE StarLight® chrome finish</p> <p>Rapid SL for wall-hung WC with flushing cistern 6 – 9 l for on-the-wall installations or studded walls 0.82 m installation height powder coated steel frame, self-supporting for dry-cladding, completely pre-assembled with fixed connections for single or rail installation quick adjustment, lockable fixing material TÜV approved 2 WC fixing bolts fixing device for ceramic distance of fixing bolts 180/230 mm depth adjustable inlet and outlet connecting set flushing cistern 6 – 9 l pneumatic discharge valve offering 3 modes of operation: dual flush or start/stop or non-interruptible</p>	<p>front or top actuation water supply from left/right or back low noise (group I acc. to German Noise Specification) test approval applied for insulated against condensation water supply connection including integrated angle valve and push fit flexible hose union inspection shaft with protecting block without accessories for on-the-wall installation without wall plate/actuation GROHE EcoJoy technology for less water and perfect flow</p> <p>Connection set Anti-corrosive flexible hose 1/2" x 1/2" composed by polyester braiding wire and plastic connection nuts for sea water</p> <p>Overflow tube 5/8" 325mm height plastic extended bottom overflow tube</p>	

* All information of the above is for the reference only. No prior notice is made if any changes.



自願參與用水效益標籤計劃 - 水廁
Voluntary Water Efficiency Labelling Scheme - Water Closets



茲證明
This is to certify that

將下列水廁在本計劃內註冊：
has registered the following water closet under this scheme :

牌子 / Brand	: Grohe
型號 / Model	: 38526000 + 38771000 + 42314000
種類 / Category	: Water Closet Cistern
原產地 / Country or Region Origin	: Germany (WC Cistern & Flushing Valve)

在用水效益標籤上展示的標誌 <i>Symbolic Presentation on the Water Efficiency Label</i>	: 滴水點 <i>Water droplet(s)</i>
用水效益級別 <i>Water Efficiency Grade</i>	: 2
全沖水量 <i>Water Flush Volume (Full)</i>	: 6.0 公升/沖廁 <i>litres/flush</i>
低沖水量 <i>Water Flush Volume (Reduced)</i>	: 3.2 公升/沖廁 <i>litres/flush</i>

簽發日期:
Date of Issue: 22 March 2021

水務署
Water Supplies Department



水務署署長(張業駒代行)
for Director of Water Supplies

† 上述水廁具額外節水功能，即：重用洗盥水作沖廁用途。
The above water closet is equipped with additional water saving feature, that is: re-use the water collected from wash basin for flushing purpose.



PROJECT		REF		REV	ITEM CODE	
LOCATION		DATE			PAGE	

GROHE PROFESSIONAL
WORK SMARTER

GROHE WC INSTALLATIONS CONCEALED FLUSHING CISTERN FOR RAPID SL AND UNISET

Quick connection, small actuation plates

Rapid installation and universal connections are characteristic of this concealed flushing cistern. The recess at the back of the cover for connection from the rear, as well as the other three possible connections from the top, left or right, and the water connection which can be installed most conveniently without requiring tools - this cistern leaves absolutely nothing to be desired by the plumber. Add to this the more attractive small cover plate, the security of a flushing cistern with a capacity of 6 - 9 litres and the optimum pneumatic actuation with its easy installation. All in all: considerable added value for both the plumber and the user.

The actuation plates: for time-saving installation.

The small actuation plates measuring just 156 x 197 mm are available for vertical or horizontal installation. State-of-the-art pneumatic discharge valve technology makes them real all-rounders:

Press large button = full water flow, can be interrupted by pressing the small button. Press small button = economy flush - what better way to save water!



Rapid SL

GROHE 38526000

Installed in the blink of an eye thanks to the GROHE QuickFix concept, this Rapid SL installation system for your toilet offers maximum convenience right from the start.

No tools are required to connect water supply, hose and inspection shaft. With a certified load-bearing capacity of over 400 kg, the steel frame is safe for your home.



PROJECT		REF		REV	ITEM CODE	
LOCATION		DATE			PAGE	

RAPID SL NOISE CONTROL ... AT THE HIGHEST LEVEL



GROHE WHISPER

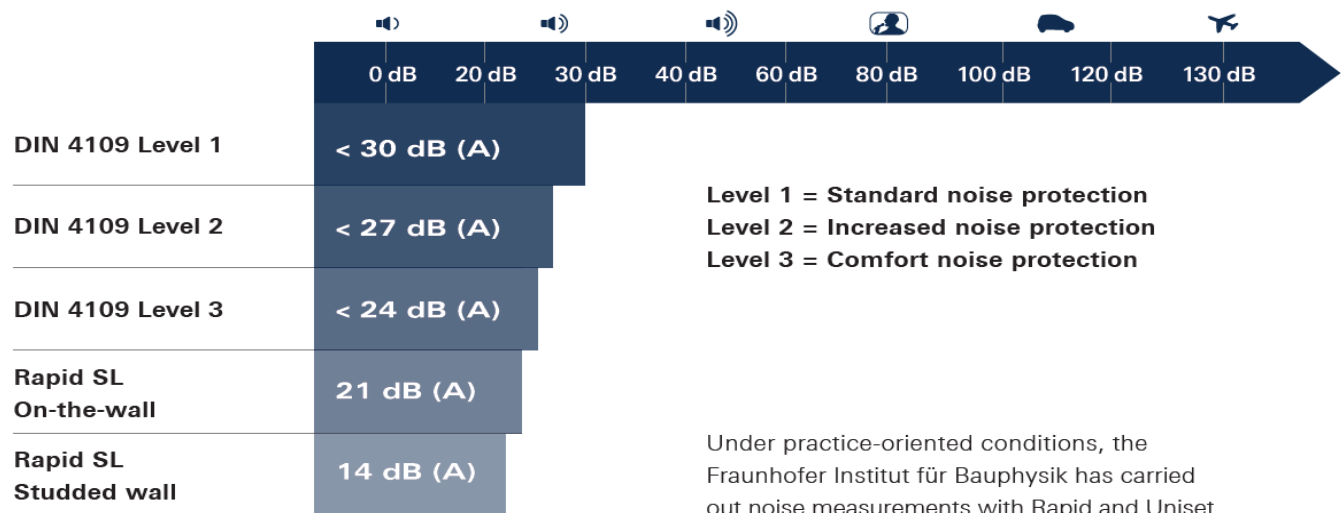
For peace, comfort and design freedom, our concealed cisterns feature GROHE Whisper technology. Thanks to decoupled pipe supports, there is no sound transfer to the structure of the building when the water is released from the cistern to the bowl. Allowing the WC to be located in the most convenient location without fear of disturbing others.

DIN 4109 describes the permitted noise levels in areas requiring protection against noise from household equipment, which must also be observed in the case of sanitary installations. The values specified in DIN 4109/A1 or DIN 4109, Supplement 2, are the generally accepted technical regulations. The renowned Fraunhofer Institute has confirmed the excellent noise-control properties of the GROHE Whisper technology in Rapid SL and Uniset in its own tests. The excellent measurement results of all products meet the requirements of DIN 4109/A1, VDI 4100 or DIN 4109, Supplement 2.

Deviating from standard noise control with 30 dB(A), DIN 4109/A1 defines:

- Increased noise control requirements with 27 dB(A)*
- Comfort noise control with 24 dB(A)*

* Applies to apartment buildings. For semi-detached and terraced houses, the values are 25/22 db(A)



The GROHE Rapid SL flush system has been recognised by the Quiet Mark scheme for a second year running. The flush and cistern refill was tested by Quiet Mark whose key mission is to drive awareness, and support the reduction of noise-related issues.

GROHE has renewed the Quiet Mark on its Rapid SL WC flush system, retaining its position as the only cistern in the industry to have the sought after mark of approval. GROHE's innovative Whisper quiet water technology delivers extremely quiet acoustics

According to a survey commissioned by Defra and Quiet House*, 78% of the UK population feels that the quality of their home life is affected by noise, with this impacting on health factors such as sleep disruption. Respondents confirmed they had been woken up, kept awake, or changed the time they went to bed or got up because of noise levels, with 47% claiming it is noise from within the home that causes the disruption



* All information of the above is for the reference only. No prior notice is made if any changes.

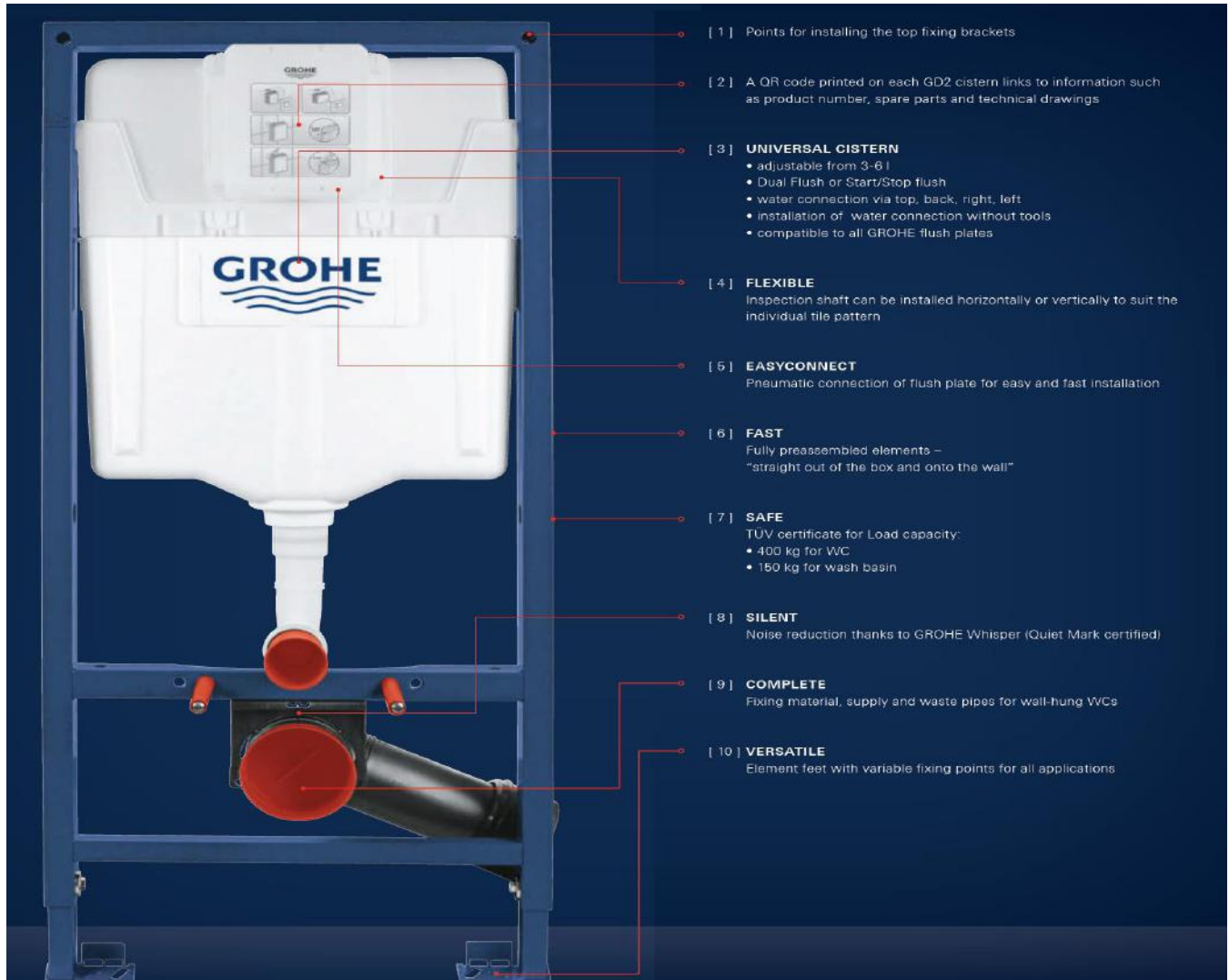


Acme Sanitary Ware Co. Ltd.

1/F, Acme Building, 22-28 Nanking Street, Kowloon, Hong Kong
 Tel: 2388 7171 Fax: 2710 8012
 Email: acme@acmesanitary.com.hk
 Website: www.acmesanitary.com.hk



PROJECT		REF		REV	ITEM CODE	
LOCATION		DATE			PAGE	



- [1] Points for installing the top fixing brackets
- [2] A QR code printed on each GD2 cistern links to information such as product number, spare parts and technical drawings
- [3] **UNIVERSAL CISTERN**
 - adjustable from 3-6 l
 - Dual Flush or Start/Stop flush
 - water connection via top, back, right, left
 - installation of water connection without tools
 - compatible to all GROHE flush plates
- [4] **FLEXIBLE**
 Inspection shaft can be installed horizontally or vertically to suit the individual tile pattern
- [5] **EASYCONNECT**
 Pneumatic connection of flush plate for easy and fast installation
- [6] **FAST**
 Fully preassembled elements –
 "straight out of the box and onto the wall"
- [7] **SAFE**
 TUV certificate for Load capacity:
 - 400 kg for WC
 - 150 kg for wash basin
- [8] **SILENT**
 Noise reduction thanks to GROHE Whisper (Quiet Mark certified)
- [9] **COMPLETE**
 Fixing material, supply and waste pipes for wall-hung VCs
- [10] **VERSATILE**
 Element feet with variable fixing points for all applications



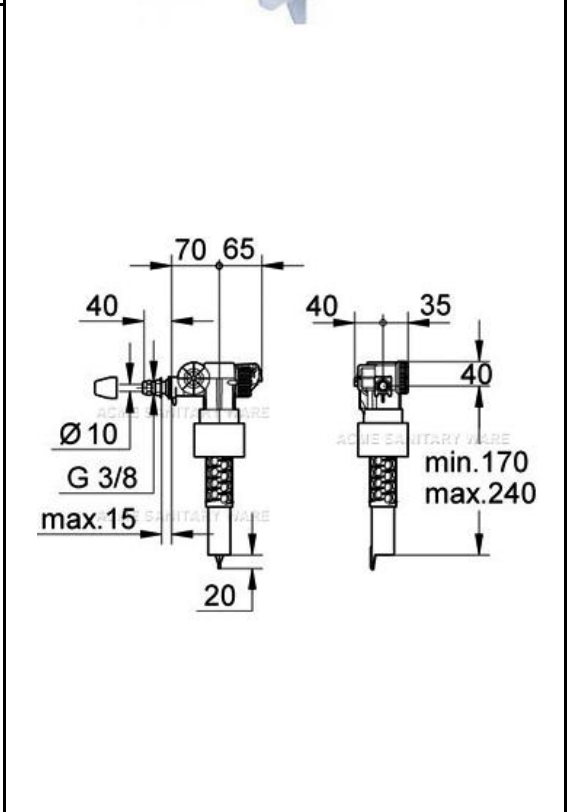
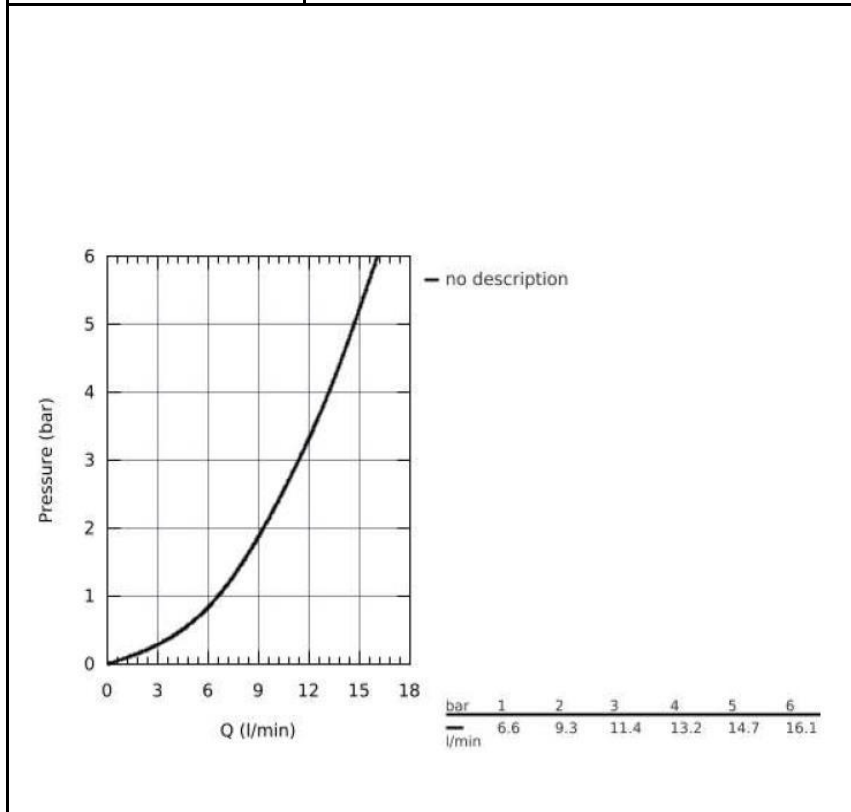
* All information of the above is for the reference only. No prior notice is made if any changes.



PROJECT		REF		REV	ITEM CODE	
LOCATION		DATE			PAGE	

SANITARY WARE SPECIFICATION SHEET

Item Descriptions	GROHE (Germany) Plastic inlet valve	Illustration/ Drawing
Model	37095000	
Finish	Plastic	
Manufacturer	GROHE (Germany)	
Supplier	Acme Sanitary Ware Co. Ltd Mr. Eric Wong/ Mr. Don Yuen	
Contact Tel/Fax	(852) 2388-7171 / (852) 2710-8012	
E-mail Website	acme@acmesanitary.com.hk www.acmesanitary.com.hk	



Note:

* All information of the above is for the reference only. No prior notice is made if any changes.



本署檔號 : (2) in WSD 3321/2020 T/J(1065/2020)
Our ref.
來函檔號 :
Your ref.

電話 :
Tel.
傳真 : 2824 0578
Fax.

6 October 2020



Approval of "GROHE" Float Operated Valve (General Acceptance No. C20200864F)

Your letter ref. WRC/2305 dated 13 August 2020 refers.

Having considered the test report ref. J24281 issued on 30 July 2020 by Nutek Systems (HK) Limited, this Authority accepts that the fitting described below complies with, and its use when correctly installed does not contravene, the Waterworks Ordinance and Regulations.

Name of Manufacturer: Grohe AG

Country of Origin: Germany

Brand: Grohe

Details of Fitting: 3/8" Plastic float operated valve

Model: 37095000

Body Markings:

Expiry Date: 2 June 2025



Proviso: As the fitting has not been tested for use in contact with water intended for human consumption, the fitting can only be used in flushing water plumbing system.

This Authority hereby permits the use of the above fitting in flushing water plumbing systems subject to full adherence to Waterworks installation requirements. In particular, you are required to draw your customers' attention to the following requirement-

"The flushing volume of the flushing valve should be adjusted to suit the design of the toilet bowl so that wastes can be cleared effectively by a single flush."

"The fitting should be used within the range of working pressures specified by the manufacturer." AND

"The installed fitting should not result in backflow of water that will contaminate the flushing water supply."

A condition of this acceptance is that the fitting to be installed shall be replicas of the sample as certified by the testing agent mentioned above and without modifications. This acceptance may be withdrawn at any time if the standard of the fitting installed fails to meet that of the approved sample or if the fitting is found to be unsuitable for use in flushing water plumbing systems.

For the use of the fitting in any project, the General Acceptance Number of this letter must be quoted as a means of identification of acceptance of the fitting by this Authority.

Should you have any enquiries, please contact our Engineer Mr. Terry KUNG at tel. no. 3583 4086.

Yours faithfully,



(CHAN Chung-kun)

for Director of Water Supplies

Encl.

c.c. WSD 3321/1/82] - without catalogue
ME/MC] - with soft copy only



PROJECT		REF		REV	ITEM CODE	
LOCATION		DATE			PAGE	

SANITARY WARE SPECIFICATION SHEET

Item Descriptions	GROHE (Germany) Plastic flush device	Illustration/ Drawing
Model	42314000	
Finish	Plastic	
Manufacturer	GROHE (Germany)	
Supplier	Acme Sanitary Ware Co. Ltd Mr. Eric Wong/ Mr. Don Yuen	
Contact Tel/Fax	(852) 2388-7171 / (852) 2710-8012	
E-mail	acme@acmesanitary.com.hk	
Website	www.acmesanitary.com.hk	

--	--	--

Note:

** All information of the above is for the reference only. No prior notice is made if any changes.*



水
W
Department

總辦事處
香港灣仔皇后大道東 7 號
48/F, Immigration Tower, 7 Gloucester Road, Wan Chai, Hong Kong



本署檔號 : (4) in WSD 3321/2020 T/J(1308/2020)
Our ref.
來函檔號 :
Your ref.

電話 :
Tel.
傳真 : 2824 0578
Fax.

24 November 2020



Approval of "GROHE" Flush Valve (General Acceptance No. C20201042F)

Your letters ref. WRC/2356 and C-WSD/0667 dated 5 October 2020 and 30 October 2020 respectively refer.

Having considered the test report ref. J25575 issued on 9 September 2020 by Nutek Systems (HK) Limited, this Authority accepts that the fitting described below complies with, and its use when correctly installed does not contravene, the Waterworks Ordinance and Regulations.

Name of Manufacturer: Grohe AG
Country of Origin: Germany
Brand: Grohe
Details of Fitting: 42mm Plastic dual flush valve
Model: 42314000
Body Markings: 
Expiry Date: 6 April 2025



Proviso: As the fitting has not been tested for use in contact with water intended for human consumption, the fitting can only be used in flushing water plumbing system.

This Authority hereby permits the use of the above fitting in flushing water plumbing systems subject to full adherence to Waterworks installation requirements. In particular, you are required to draw your customers' attention to the following requirement-

"The flushing volume of the flushing valve should be adjusted to suit the design of the toilet bowl so that wastes can be cleared effectively by a single flush."

"The fitting should be used within the range of working pressures specified by the manufacturer." AND

"The installed fitting should not result in backflow of water that will contaminate the flushing water supply."

A condition of this acceptance is that the fitting to be installed shall be replicas of the sample as certified by the testing agent mentioned above and without modifications. This acceptance may be withdrawn at any time if the standard of the fitting installed fails to meet that of the approved sample or if the fitting is found to be unsuitable for use in flushing water plumbing systems.

For the use of the fitting in any project, the General Acceptance Number of this letter must be quoted as a means of identification of acceptance of the fitting by this Authority.

Should you have any enquiries, please contact our Engineer Mr. Terry KUNG at tel. no. 3583 4086.

Yours faithfully,



(CHAN Chung-kun)

for Director of Water Supplies

Encl.

c.c. WSD 3321/1/82] - without catalogue
ME/MC] - with soft copy only